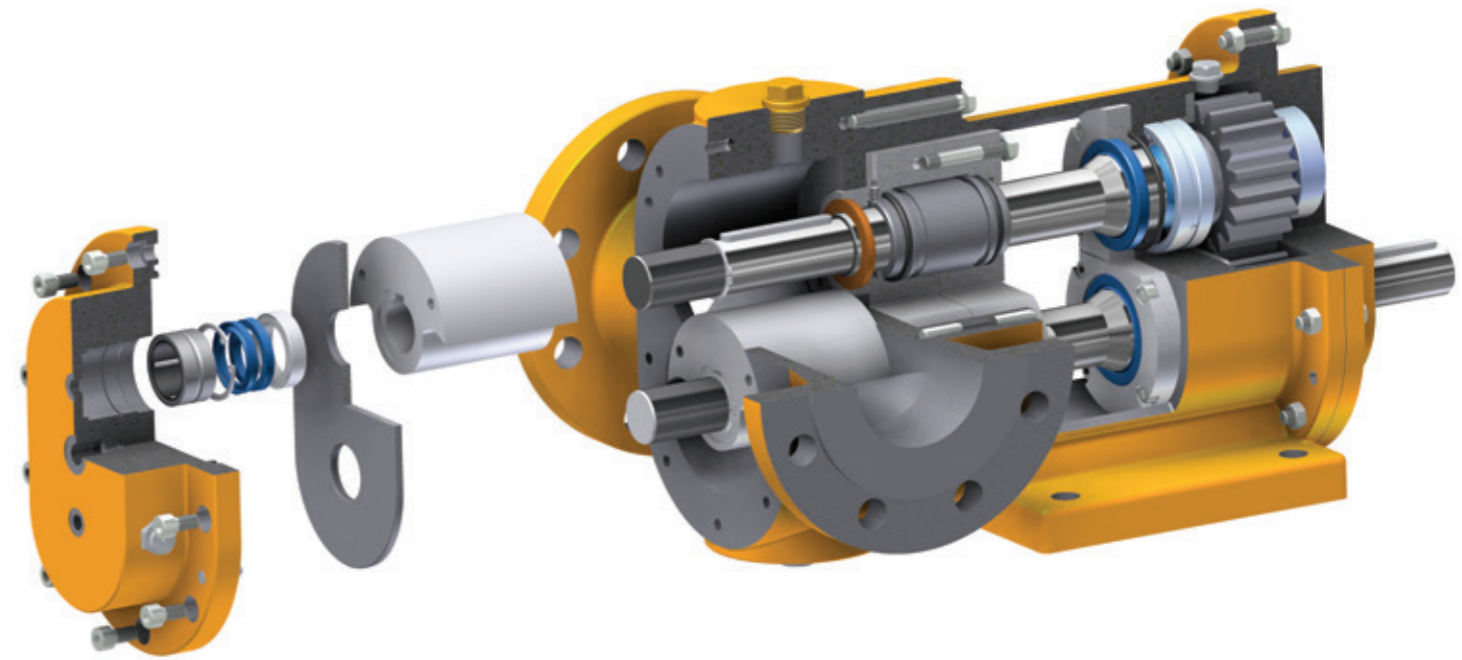


# KS & KDS BLUE SERIES

## ROTARY LOBE PUMP

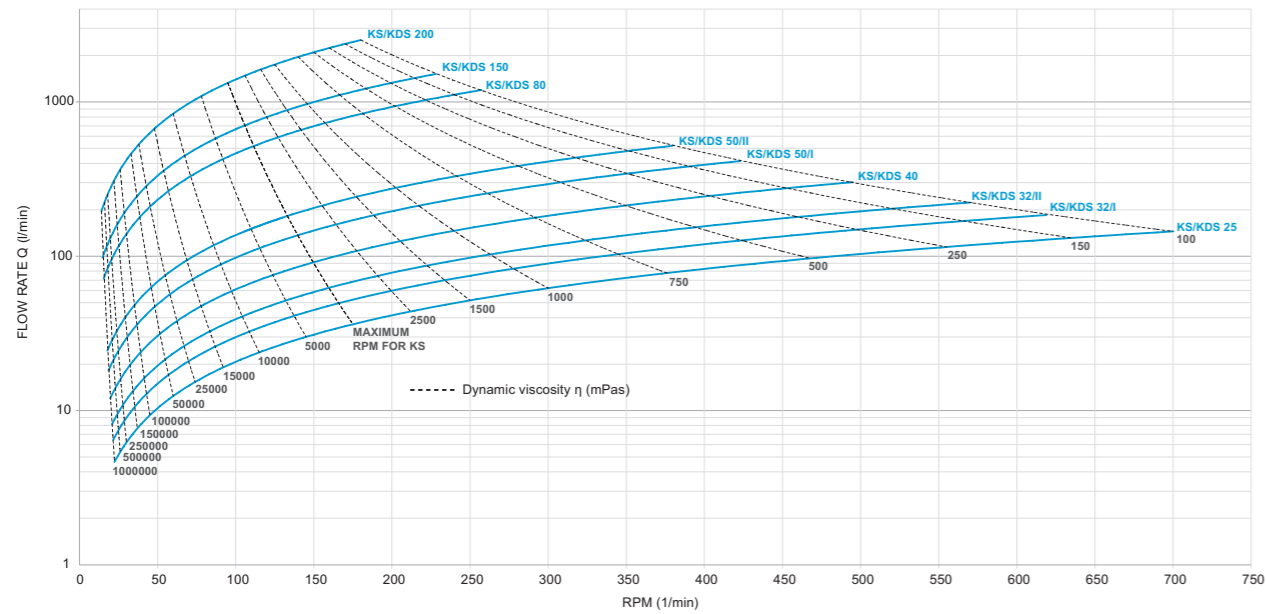
### FEATURES

- **Pressure:** 70 bar
- **Suction lift:** 4 m
- **Flow rate:** 2 to 2,474 l/min (0.12 to 148 m³/h)
- **RPM:** 750 RPM
- **Efficiency:** 75 to 92%
- **Particle size:** max. 50 mm
- **Viscosity:** 10 to 3,400,000 mPas
- **Temperature:** -60 to 450°C



### SIZES AND FLOW RATES

Q-n-η-flow rate / viscosity



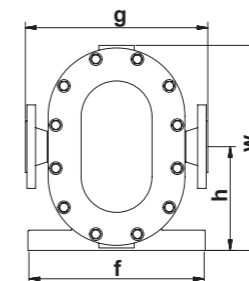
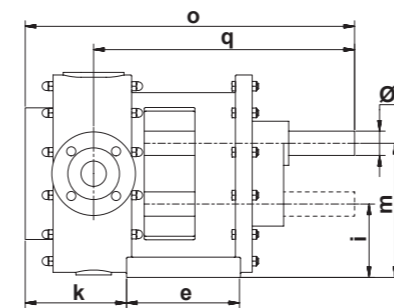
Pump size	Volume l/rev	Flow rates*																	
		n = 25 min <sup>-1</sup>		n = 50 min <sup>-1</sup>		n = 100 min <sup>-1</sup>		n = 150 min <sup>-1</sup>		n = 250 min <sup>-1</sup>		n = 400 min <sup>-1</sup>		n = 600 min <sup>-1</sup>		n = 700 min <sup>-1</sup>			
		l/min	m <sup>3</sup> /h	l/min	m <sup>3</sup> /h	l/min	m <sup>3</sup> /h	l/min	m <sup>3</sup> /h	l/min	m <sup>3</sup> /h	l/min	m <sup>3</sup> /h	l/min	m <sup>3</sup> /h	l/min	m <sup>3</sup> /h	l/min	m <sup>3</sup> /h
25	0.21	5.2	0.3	10.4	0.6	20.7	1.2	31	1.9	52	3	83	5	124	7.5	145	9		
32/I	0.3	7	0.4	15	0.9	30	1.8	45	2.7	75	4	120	7.2	179	10.8				
32/II	0.39	10	0.6	20	1.2	39	2.3	59	3.5	98	6	156	9.4						
40	0.61	15	0.9	30	1.8	61	3.7	92	5.5	152	9	244	14.6						
50/I	0.98	24	1.5	49	2.9	98	5.9	147	8.8	245	15	392	23.5						
50/II	1.37	34	2.1	69	4.1	137	8.2	206	12.3	343	21								
80	4.65	116	7	232	13.9	465	27.9	697	41.8	1162	70								
150	6.66	166	10	333	20	666	40	999	59.9										
200	14	350	21	700	42	1400	84	2100	126										

\*The exact flow rate depends on the rotation speed (RPM), liquid viscosity, working pressure, pressure head and characteristics of the working liquid.

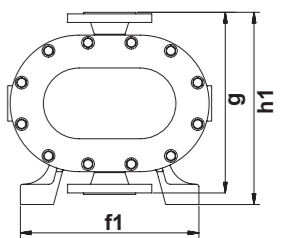
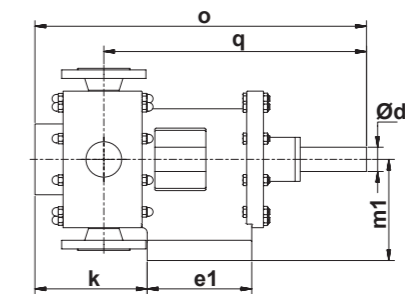
■ = only KDS

### DIMENSIONS

KSH/KDSH



KSV/KDSV



Pump size	25	32/I	32/II	40	50/ I	50/ II	80	150	200
Ød	28	28	28	32	48	48	55	90	90
e	195	195	195	194	225	315	264	460	515
e1	195	195	195	140	205	287	240	460	490
f	180	180	180	240	350	350	400	550	550
f1	180	180	180	240	350	350	380	550	540
g	180	190	190	300	360	360	450	600	700
h	128	128	128	150	205	205	260	365	420
h1	210	215	215	330	380	380	485	630	730
k	123	148	168	173	210	294	256	345	465
m	166	166	166	190	265	265	335	470	540
m1	120	120	120	180	200	200	260	330	380
i	90	90	90	110	145	145	185	260	300
o	485	510	530	540	660	924	760	1140	1310
q	392	405	415	420	515	721	583	900	992
w	251	251	251	295	405	405	510	710	815
DN	25	32	32	40	50	50	80	150	200

in mm, subject to modifications